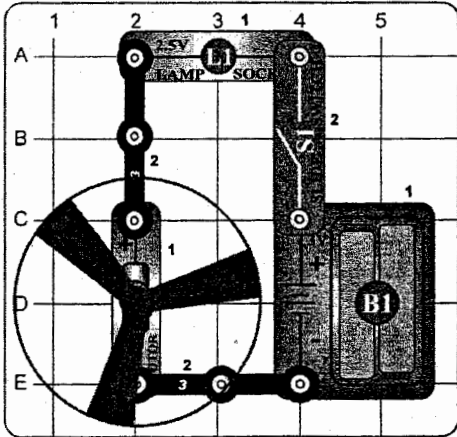
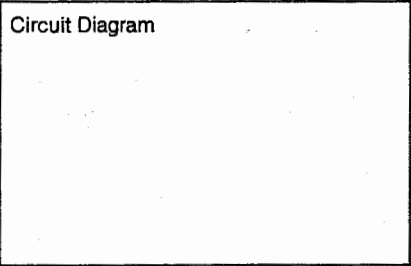


series circuit

Activity 1 Lamp and Fan in Series

Use the circuit diagram symbols to draw the circuit shown below.

Circuit Diagram



Materials List	
Quantity	Description
2	3-Snap Wires
1	Battery Holder (B1)
1	Lamp (L1)
1	Motor (M1) and Fan Blade
1	Slide Switch (S1)

Assembly
Build the circuit pictured on the left. Place all the parts with the black 1 next to them on the board first, then the parts with the black 2.

Operation

What happens when you close the switch? _____

What happens when you open the switch? _____

Remove the lamp. What happens? _____

Put the lamp back in. Open the switch. Take the fan off the motor. Close the switch. Describe What happens.

The circuits in Activity 1, 2, and 3 were series circuits. In a series circuit all of the parts are placed on the board one after the other.

WARNING: Moving parts. Do not touch the fan or motor during operation.

WARNING: Do not lean over the motor.

What have you learned because you worked on this project?

frnd
52

standards .ISTE.1.a, ISTE.1.c, ISTE.2.d, ISTE.3.a, ISTE.3.d